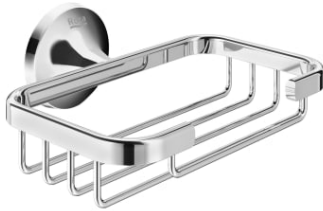


CLASSICA

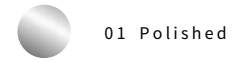
Grated container



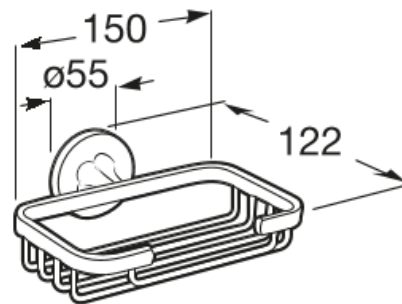
DIMENSIONS

| | |
|--------|--------|
| Length | 150 mm |
| Width | 122 mm |
| Height | 55 mm |

COLOURS AND FINISHES

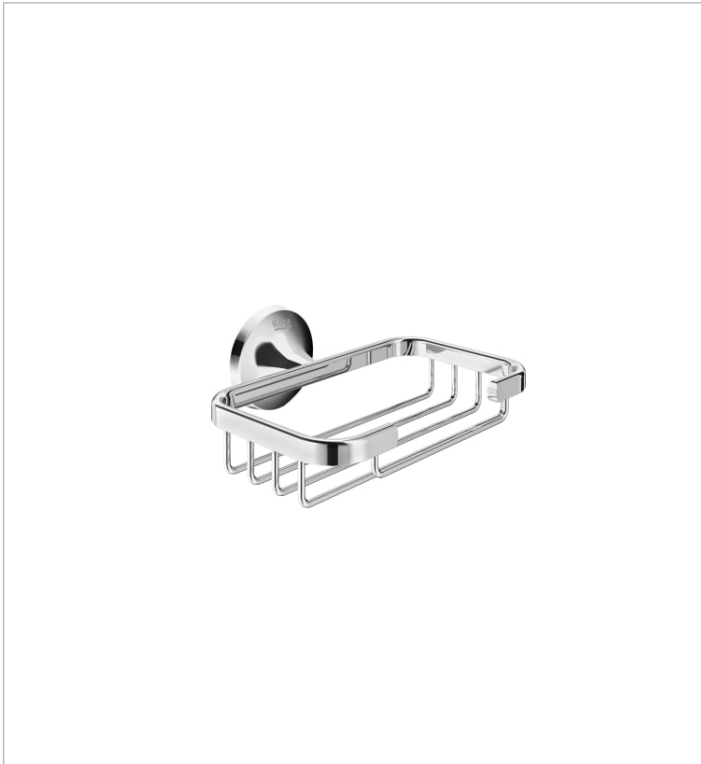


TECHNICAL DRAWINGS



FEATURES

- Finish: Chrome
- Fixing kit: Included
- Installation options: Only with screws
- Installation type: Wall-mounted
- Material: Metal
- Maximum weight supported (Kg): 5



Classica

In Classica the traditional shapes are reinvented to fit into numerous bathroom styles. Elegant lines and subtle finishes in a collection of accessories in highquality glass and chromed metal.

